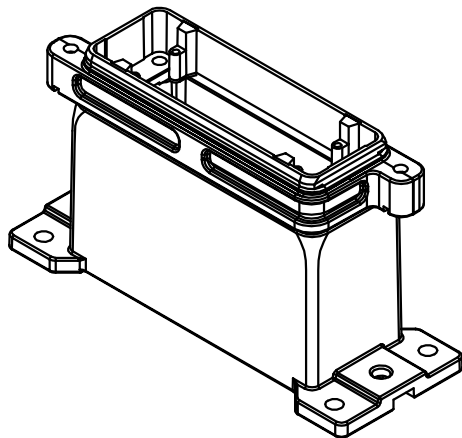
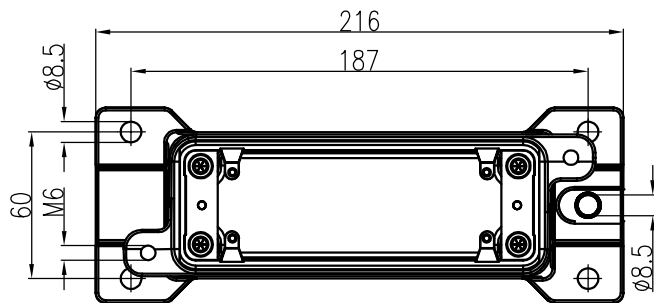
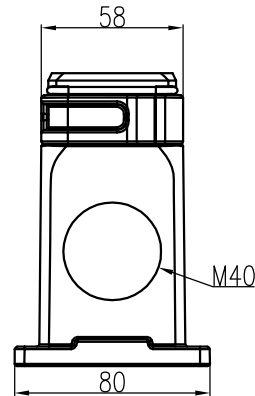
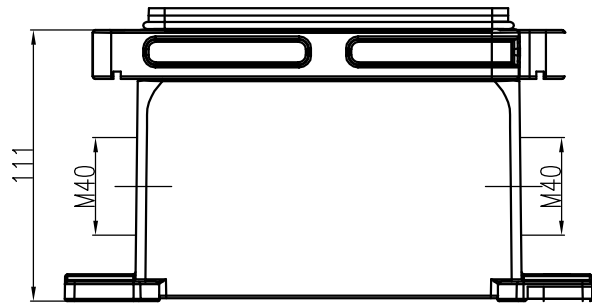


日期/Date  
 档案员  
 Filing Clerk



技术参数:

- 材料: 压铸铝
- 表面处理: 粉末喷涂
- 颜色: RAL 9005 (黑色)
- 温度范围: -40℃ - +125℃
- 防护等级: IP68/IP69K
- 出线方向: 侧出线
- 出线孔数: 2
- 螺纹规格: M40
- 密封元件: NBR

Technical specification:

- Material: aluminium die-cast
- Surface: powder-coated
- Colour: RAL 9005(black)
- Temperature range: -40℃ - +125℃
- Degree of protection: IP68/IP69K
- Cable entry: side entry
- No. of cable entries: 2
- Thread size: M40
- Hoods/Housings sealing: NBR

|               |              |                  |                |             |                 |                |            |   |   |                   |                     |
|---------------|--------------|------------------|----------------|-------------|-----------------|----------------|------------|---|---|-------------------|---------------------|
|               |              |                  |                |             |                 | 表面处理<br>Finish | -          |   |   | 图号<br>Drawing No. | -                   |
|               |              |                  |                |             |                 | 材料<br>Material | -          |   |   | 产品代号<br>Part Code | HP24B/H-SFH-2H-2M40 |
| 标记<br>Mark    | 处数<br>Number | 变更描述/Description |                |             | 姓名<br>Signature | 日期<br>Date     |            |   |   | 产品料号<br>Part No.  | 1136242205025       |
| 姓名/Name       | 日期/Date      | 姓名/Name          | 日期/Date        | 比例<br>Scale | 版本<br>REV.      | 重量<br>Weight   | 数量<br>Qty. | 产品名称<br>Part Name                           |   |                   | -                   |
| 绘图<br>Drawn   | BQ LUO       | 18.10.2010       | 标准化<br>Stand.  | -           | -               | 1:3            | V1.0       | 1241g                                       | - |                   |                     |
| 审核<br>Checked | P RAO        | 18.10.2010       |                |             |                 |                |            |   |   |                   |                     |
| 工艺<br>Process | -            | -                | 批准<br>Approved | YY LIN      | 18.10.2010      |                |            | 厦门唯恩电气有限公司<br>XIAMEN WAIN ELECTRICAL CO.LTD |   |                   |                     |