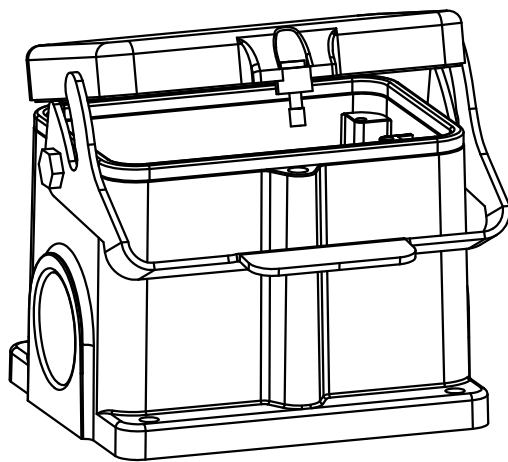


技术参数:

- 材料: 压铸铝
- 盖子材料: 压铸铝
- 表面处理: 粉末喷涂
- 颜色: RAL 7037 (灰色)
- 温度范围: -40℃ - +125℃
- 防护等级: IP65 (联锁状态, IEC 60529)
- 出线方向: 侧出线
- 出线孔数: 1
- 螺纹规格: M32
- 联锁元件:
 - 锁扣方式: 金属单扣
 - 材料: 不锈钢
- 密封元件: NBR

Technical specification:

- Material: aluminium die-cast
- Material, cover: aluminium die-cast
- Surface: powder-coated
- Colour: RAL 7037(grey)
- Temperature range: -40℃ - +125℃
- Degree of protection: IP65 (acc.to IEC 60529 for coupled connector)
- Cable entry: side entry
- No. of cable entries: 1
- Thread size: M32
- Locking element:
 - Locking type: single locking latch
 - material: stainless steel
- Hoods/Housings sealing: NBR



| | | | | | | | | | | | | | | | | | |
|---------------|--|--------------|--|------------------|--|-----------------|--|------------|--|-------------|--|---|--|--|--|------------|--|
| | | | | | | 表面处理 Finish | | | | - | | 图号 Drawing No. | | - | | | |
| | | | | | | 材料 Material | | | | - | | 产品代号 Part Code | | H48B-SF-1L/S-MCV-M32 | | | |
| 标记 Mark | | 处数 Number | | 变更描述/Description | | 签名 Signature | | 日期 Date | | 比例 Scale | | 版本 REV. | | 重量 Weight | | 数量 Qty. | |
| | | | | | | | | | | 2:5 | | V1.0 | | 1436g | | - | |
| 绘图 Drawn | | BQ LUO | | 18.10.2010 | | 标准化 Stand. | | - | | - | | | | | | | |
| 审核 Checked | | P RAO | | 18.10.2010 | | | | | | | | | | | | | |
| 工艺 Process | | - | | - | | 批准 Approved | | YY LIN | | 18.10.2010 | | All Dimensions in mm Original Size DIN A 4 | | 厦门唯恩电气有限公司 XIAMEN WAIN ELECTRICAL CO., LTD. | | | |