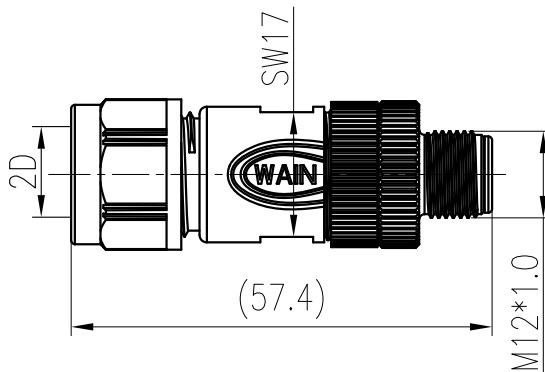
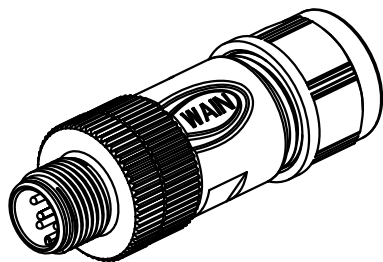
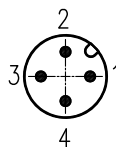


电缆直径:2D5
 Cable outlet:2D5



针位排布图
 Contact arrangement



技术参数:

- 产品系列: M12 A-Code
- 插针数: 4
- 额定电流(40℃): 4A
- 额定电压: 250V
- 额定脉冲电压: 2500V
- 污染等级: 3
- 接触电阻: $\leq 10\text{m}\Omega$
- 防护等级: IP67
- 插拔次数: > 100
- 温度范围: $-40^\circ\text{C} \dots +85^\circ\text{C}$
- 绝缘阻抗: $\geq 100\text{M}\Omega$
- 接线方式: 螺钉锁紧
- 线径范围: $\text{max.}0.75\text{mm}^2$ (max.AWG18)
- 锁紧扭矩: 0.2Nm (螺钉接线)
- 电缆直径: 2 (2.1-3mm or 4-5mm)
- 电缆剥线长度: 20mm
- 导线剥线长度: 5mm

材料特性:

- 锁紧螺帽: 塑料
- 插针材料: 铜合金
- 插针表面处理: 镀金
- 外壳材料: PA
- 颜色: RAL 9005 (黑色)
- 绝缘材料: PA

符合标准: IEC 61076-2-101

Technical specification:

- Series: M12A-Code
- Number of contacts: 4
- Rated current(40℃): 4A
- Rated voltage: 250V
- Rated impulse voltage: 2500V
- Pollution degree: 3
- Contact resistance: $\leq 10\text{m}\Omega$
- Degree of protectio: IP67
- Mating cycles: > 100
- Temperature range: $-40^\circ\text{C} - +85^\circ\text{C}$
- Insulation resistance: $\geq 100\text{M}\Omega$
- Termination method: screw connection
- Wire gauge: $\text{max.}0.75\text{mm}^2$ (max.AWG18)
- Torque: 0.2Nm (screw terminal blocks)
- Cable Outlet: 2 (2.1-3mm or 4-5mm)
- Stripping length of the sheath: 20mm
- Stripping length of the individual wire: 5mm

Material properties :

- Material of locking system: Plastic
- Material of contact: copper alloy
- Contact plating: Au
- Material of housing : PA
- Colour of housing: RAL 9005 (Black)
- Material of Insert: PA

Standards: IEC 61076-2-101

				表面处理 Finish		-		图号 Drawing No.		-	
				材料 Material		-		产品代号 Part Code		M12P-M04A-T-2D5	
标记 Mark		处数 Number		变更描述/Description				签名 Signature		日期 Date	
		姓名/Name		日期/Date		姓名/Name		日期/Date		产品料号 Part No.	
绘图 Drawn		ZQ XU		19.08.2015		-		-		1630044113104	
审核 Checked		ZM LIN		19.08.2015						产品名称 Part Name	
工艺 Process		-		-		批准 Approved		YY LUO 19.08.2015		-	
				比例 Scale		1:1		版本 REV.		V1.0	
				重量 Weight		17.3g		数量 Qty.		-	
				All Dimensions in mm Original Size DIN A 4				厦门唯恩电气有限公司 XIAMEN WAIN ELECTRICAL CO.LTD			