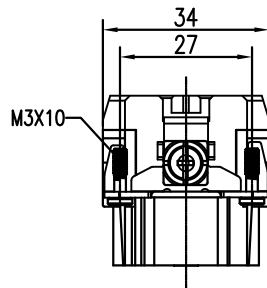
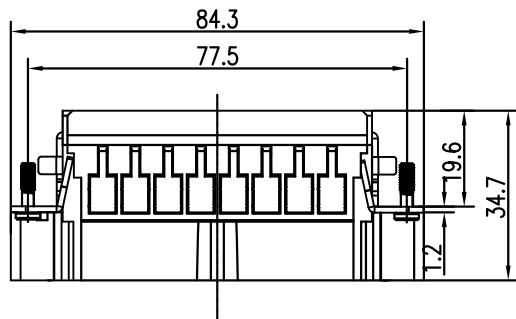


面板安装开孔图  
 Panel cut out

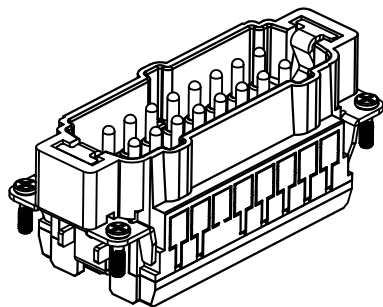


技术参数:

- 插芯:
- 插针数: 16+PE
- 额定电流: 16A
- 额定电压: 500V
- 额定脉冲电压: 6kV
- 污染等级: 3
- 依据UL/CSA的额定电压: 600V
- 绝缘阻抗:  $\geq 10^{10}\Omega$
- 材料: 聚碳酸酯
- 颜色: RAL 7032 (浅灰色)
- 温度范围:  $-40^{\circ}\text{C} - +125^{\circ}\text{C}$
- 依据UL 94的阻燃等级: V0
- 可插拔次数:  $\geq 500$
- 插针:
- 接线方式: 弹片连接
- 材料: 铜合金
- 表面处理: 银金
- 接触电阻:  $\leq 1\text{m}\Omega$
- 线径范围:  $0.14-2.5\text{mm}^2(26-14\text{ AWG})$
- 剥线长度: 7-9mm

Technical specification:

- Insters:
- No. of contact: 16+PE
- Rated current: 16A
- Rated voltage: 500V
- Rated impulse voltage: 6kV
- Pollution degree: 3
- Rated voltage acc.to UL/CSA: 600V
- Insulation resistance:  $\geq 10^{10}\Omega$
- Material: polycarbonate
- Colour: RAL 7032(light grey)
- Temperature range:  $-40^{\circ}\text{C} - +125^{\circ}\text{C}$
- Flammability acc.to UL 94: V0
- Mating cycles:  $\geq 500$
- Contacts:
- Terminal: spring terminal
- Material: copper alloy
- Surface: hard-silver plated
- Contact resistance:  $\leq 1\text{m}\Omega$
- Wire gauge:  $0.14-2.5\text{mm}^2(26-14\text{ AWG})$
- Stripping length: 7-9mm



|               |              |                  |                |         |                 |   |            |              |   |                   |                   |
|---------------|--------------|------------------|----------------|---------|-----------------|---|------------|--------------|---|-------------------|-------------------|
|               |              |                  |                |         |                 | 表面处理<br>Finish                                | -          |              |   | 图号<br>Drawing No. | -                 |
|               |              |                  |                |         |                 | 材料<br>Material                                | -          |              |   | 产品代号<br>Part Code | HE-016-MS B 17-32 |
| 标记<br>Mark    | 处数<br>Number | 变更描述/Description |                |         | 签名<br>Signature | 日期<br>Date                                    |            |              |   | 产品料号<br>Part No.  | 1220160120102     |
| 绘图<br>Drawn   | BQ LUO       | 姓名/Name          | 日期/Date        | 姓名/Name | 日期/Date         | 比例<br>Scale                                   | 版本<br>REV. | 重量<br>Weight | 数量<br>Qty.                                  | 产品名称<br>Part Name | -                 |
| 审核<br>Checked | P RAO        | 姓名/Name          | 日期/Date        | 姓名/Name | 日期/Date         | 3:2   | V1.0       | 84g          | -   |                   |                   |
| 工艺<br>Process | -            | 姓名/Name          | 日期/Date        | 姓名/Name | 日期/Date         | All Dimensions in mm<br>Original Size DIN A 4 |            |              | 厦门唯恩电气有限公司<br>XIAMEN WAIN ELECTRICAL CO.LTD |                   |                   |
|               |              |                  | 批准<br>Approved | YY LIN  | 18.10.2010      |   |            |              |   |                   |                   |